



[www.stora-drain.be](http://www.stora-drain.be)

# STORA ELLIPSE

THE POLYPROPYLENE DRAINAGE CHANNELS  
B125 - C250



**STORA-DRAIN**

*In harmony with nature...*

**LOAD CLASS**

according EN1433:2005

The indications A15, B125, C250, D400, E600 or F900 measure the level of test resistance expressed in kN that is statically transmitted to the element being studied under laboratory conditions. For example, grid class C250 means that it transmits a strength of 250kN applied in accordance with EN 1433:2005.

CLASS

**A 15**

Areas which can only be used by pedestrians and cyclist, and similar A 15 areas such as green spaces.



CLASS

**B 125**

Footways, pedestrian areas and comparable areas, private car parks or car parking decks.



CLASS

**C 250**

Kerb sides and non-trafficked areas of hard shoulders and similar.



CLASS

**D 400**

Load traffic lanes (including pedestrian streets), hard shoulders and parking areas, for all types of road vehicles. Only longitudinal use, never transverse direction.



CLASS

**E 600**

Areas subjected to high wheel loads. Only longitudinal use, never transverse direction.



CLASS

**F 900**

Areas subjected to especially high wheel loads (e.g. aircraft pavements). Only longitudinal use, never transverse direction.







STORA-DRAIN

# ELLIPSE

THE POLYPROPYLENE DRAINAGE CHANNELS



STORA-DRAIN

# ELLIPSE\*

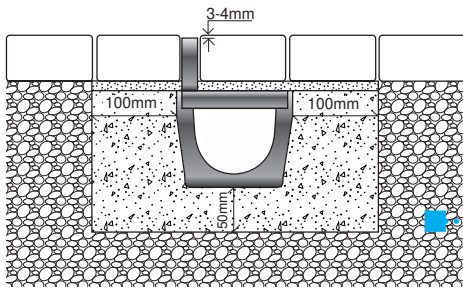
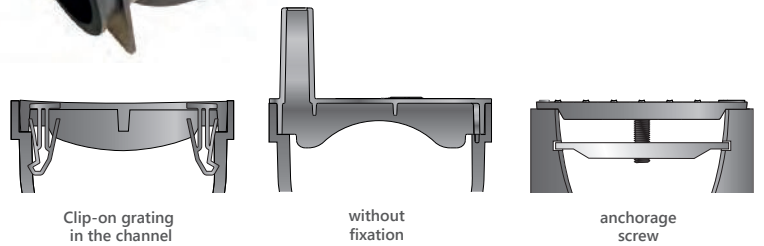
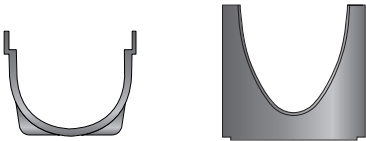
B125 / C250



THE POLYPROPYLENE DRAINAGE CHANNELS

ELLIPSE

**STORA ELLIPSE** channels are suitable for rainwater drainage around houses, driveways and car parks. **STORA ELLIPSE** channels are suitable for rainwater drainage around houses, driveways and car parks **A15-B125-C250**. The polypropylene channels are very light, which makes them easy and quick to install. **STORA ELLIPSE** channels are available in nominal widths of **B=100**, **B=150** and **B=200**. The channels with a width of 150 and 200 have several connection possibilities.



Installation STORA ELLIPSE 100  
slotted cover

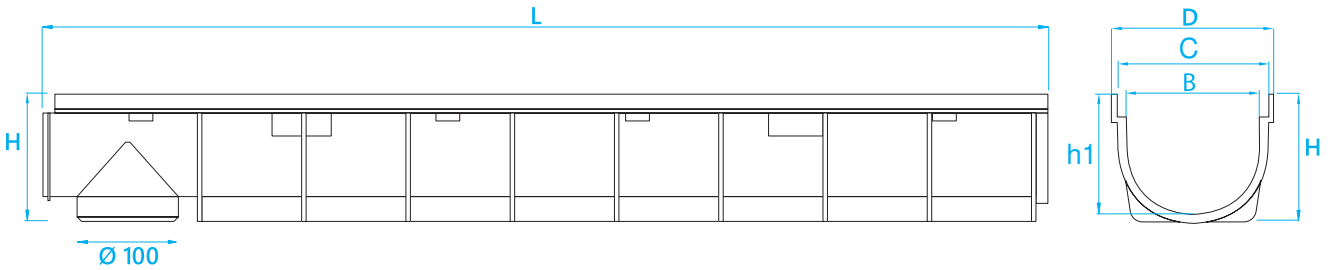


Polypropylene clip for polyamide  
slotted grating



\* model in the process of certification

# ELLIPSE 100



ELLIPSE

STORA-DRAIN

## ELLIPSE 100

CHANNEL + GRATING

### B125



- clipped
- polyamide slotted grating
- slots 7mm

B=100, C=120, D=130	H	h1	Vert. outlet on channel	hydraulic capacity	KG	units per pallet	waterway area	Article number
channel L=1m	110	98	Ø 100	(2x) 11,80 L/sec	2,80	45	(2x) 1,80 dm <sup>2</sup>	S6500451
channel L=1m	110	98	Ø 100	(2x) 11,80 L/sec	2,80	72	(2x) 1,80 dm <sup>2</sup>	S6500453

STORA-DRAIN

## ELLIPSE 100

CHANNEL + GRATING

### C250



- anchorage screw
- ductile iron slotted grating "S"
- slots 10mm

B=100, C=120, D=130	H	h1	Vert. outlet on channel	hydraulic capacity	KG	units per pallet	waterway area	Article number
channel L=1m	110	98	Ø 100	(2x) 6,10 L/sec	9,40	72	(2x) 1,60 dm <sup>2</sup>	S6100100

STORA-DRAIN

## ELLIPSE 100

CHANNEL + NARROW SLEEVE COVER

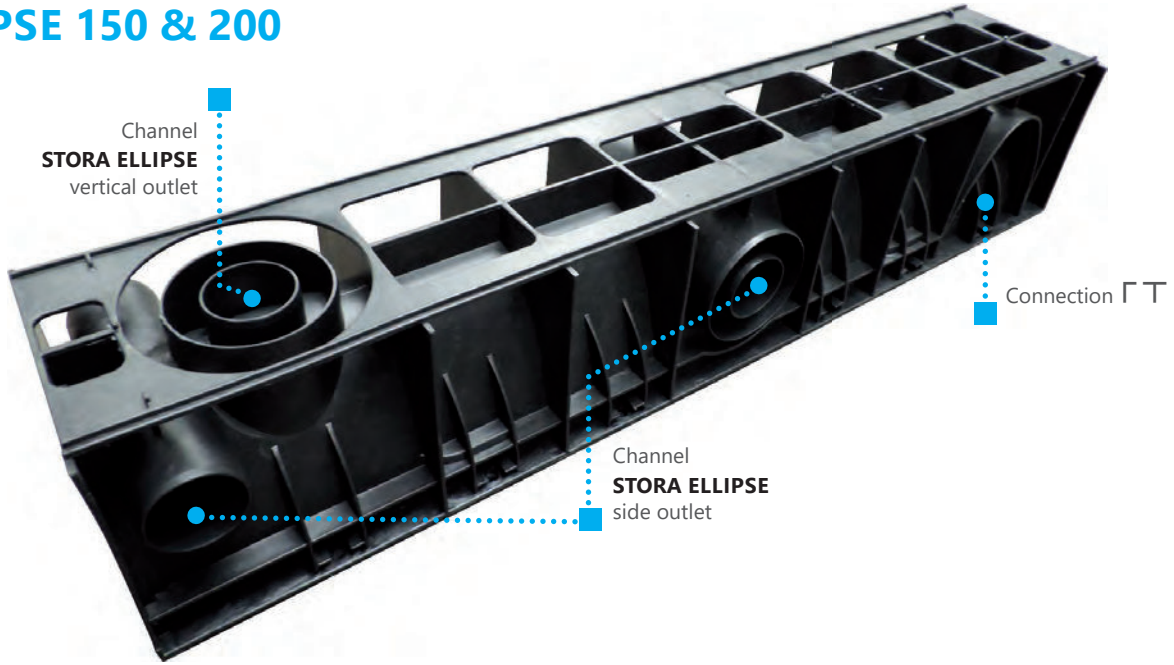
### C250



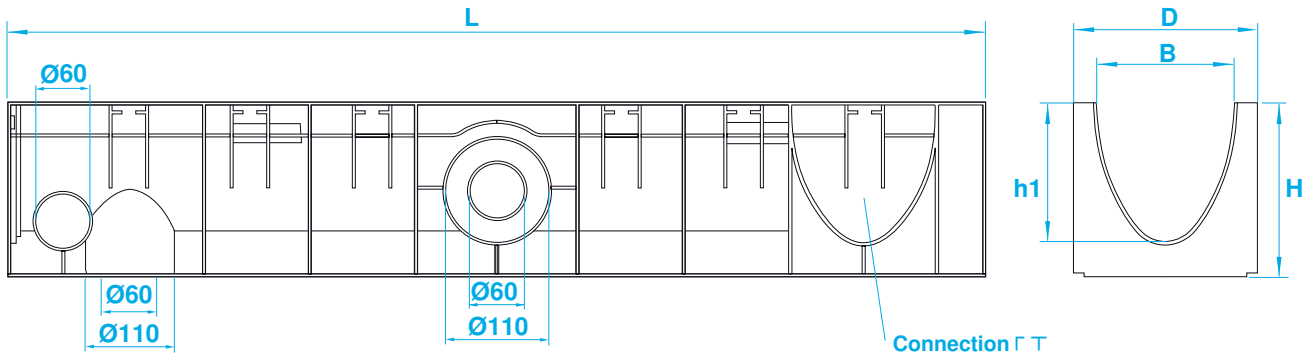
- without fixation
- polypropylene narrow sleeve cover
- slots 12mm

B=100, C=120, D=130	H	h1	Vert. outlet on channel	hydraulic capacity	KG	units per pallet	waterway area	Article number
channel L=1m	110	98	Ø 100	(2x) 4,33 L/sec	2,40	56	(2x) 0,66 dm <sup>2</sup>	S6500455

## ELLIPSE 150 & 200



## ELLIPSE 150



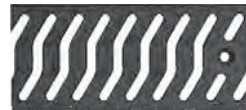
STORA-DRAIN

**ELLIPSE\***

**150**

CHANNEL + GRATING

**B125**

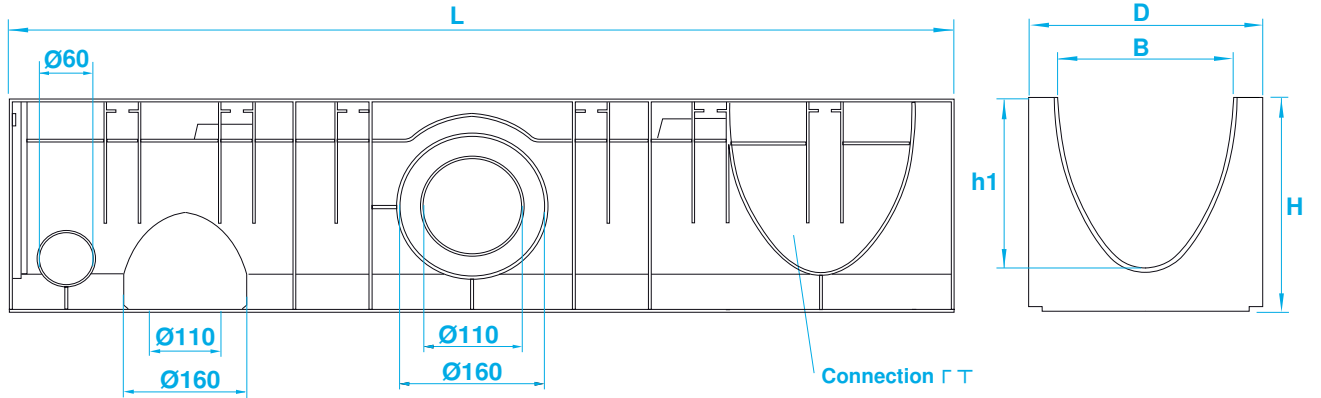


- anchorage screw
- ductile iron slotted grating "S"
- slots 12mm

B=150 D=200	H	h1	Vert. outlet on channel	side outlet on channel	hydraulic capacity	KG	units per pallet	waterway area	Article number
channel L=1m	185	145	Ø 60 - Ø 110	Ø 60 - Ø 110	(2x) 21,00 L/sec	14,30	30	(2x) 3,20 dm <sup>2</sup>	S6100160

\* model in the process of certification

# ELLIPSE 200



## B125



- anchorage screw
- ductile iron slotted grating "S"
- slots 12mm

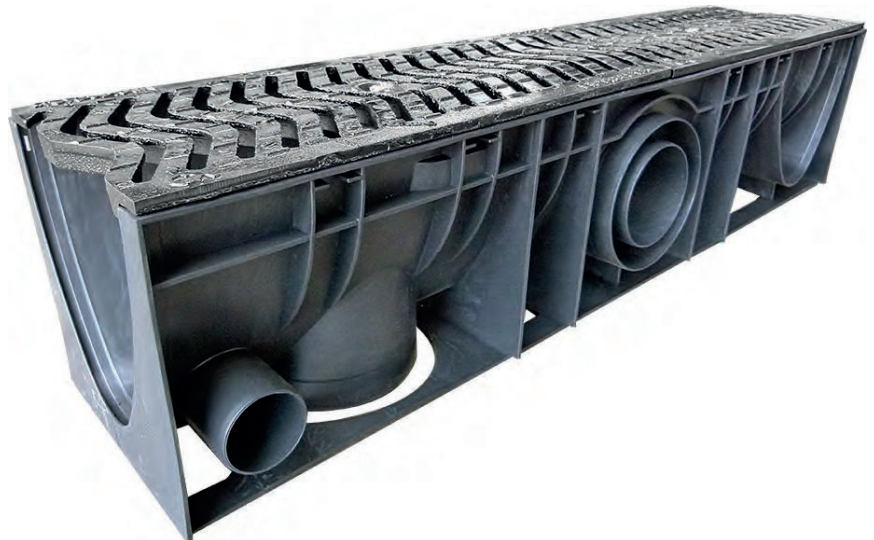
STORA-DRAIN

**ELLIPSE\***

**200**

CHANNEL + GRATING

B=200 D=250	H	h1	Vert. outlet on channel	side outlet on channel	hydraulic capacity	KG	units per pallet	waterway area	Article number
channel L=1m	235		Ø 110 - Ø 160	Ø 110 - Ø 160	(2x) 28,25 L/sec	14,20	24	(2x) 4,30 dm <sup>2</sup>	S6100210



\* model in the process of certification

## ENDCAP\*

H	Article number	KG
110	S6500420	0,10
110	S6500420B (box of 20 pcs)	2,00



## CONNECTION PIPE\*

Diameter	Article number	KG
Ø 100	S6500422	0,10



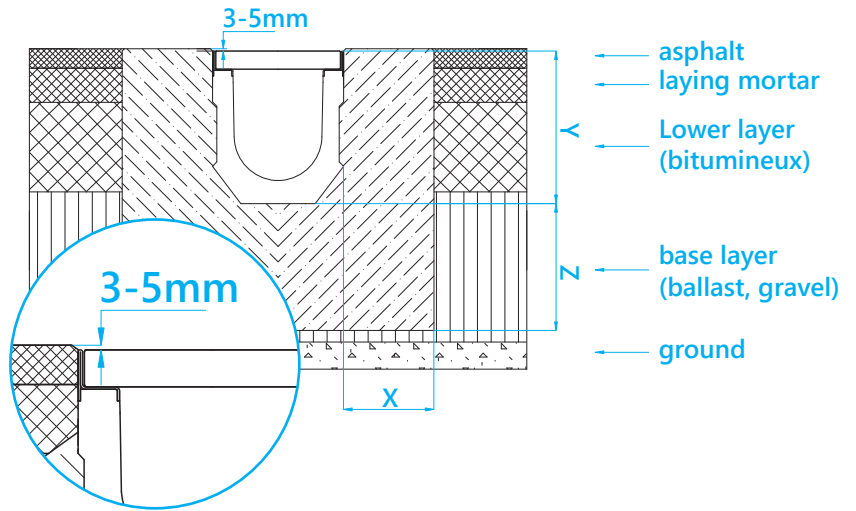


# INSTALLATION INSTRUCTIONS

## INSTALLATION EXAMPLE - ASPHALT

### CLASS A15 / B125 / C250

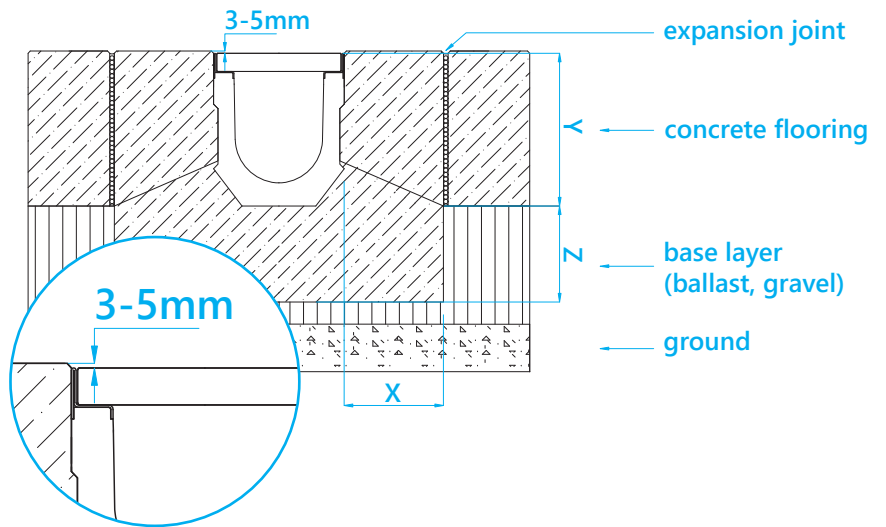
Load Class ac.: PN EN 1433	A15	B125	C250	
Minimum compressive concrete strength to:	DIN 1045-2	B15	B15	B25
	DIN EN 206-01	C12/15	C12/15	C20/25
Dimensions	X (mm)	≥ 100	≥ 100	≥ 150
	Y (mm)	Upper part of pocket anchor		
	Z (mm)	≥ 100	≥ 100	≥ 150



## INSTALLATION EXAMPLE - CONCRETE

### CLASS A15 / B125 / C250

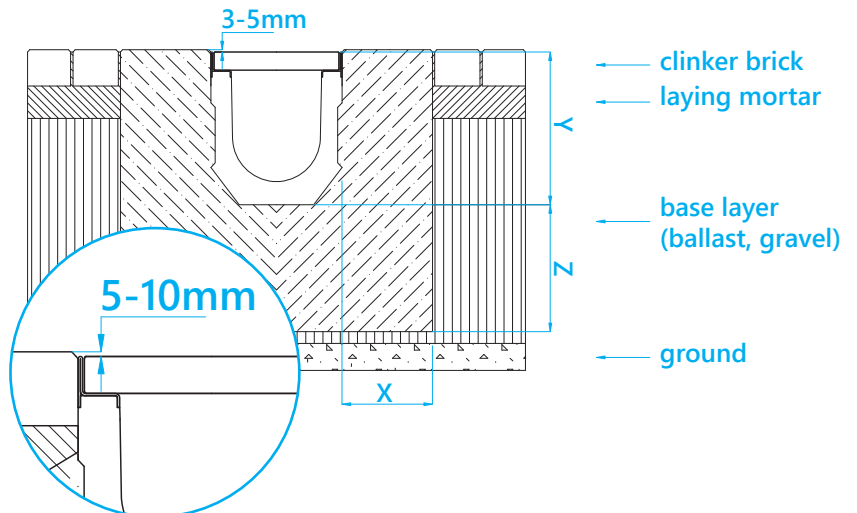
Load Class ac.: PN EN 1433	A15	B125	C250	
Minimum compressive concrete strength to:	DIN 1045-2	B15	B15	B25
	DIN EN 206-01	C12/15	C12/15	C20/25
Dimensions	X (mm)	≥ 100	≥ 100	≥ 150
	Y (mm)	Upper part of pocket anchor		
	Z (mm)	≥ 100	≥ 100	≥ 150



## INSTALLATION EXAMPLE - CLINKER BRICK

### CLASS A15 / B125 / C250

Load Class ac.: PN EN 1433	A15	B125	C250	
Minimum compressive concrete strength to:	DIN 1045-2	B15	B15	B25
	DIN EN 206-01	C12/15	C12/15	C20/25
Dimensions	X (mm)	≥ 100	≥ 100	≥ 150
	Y (mm)	Upper part of pocket anchor		
	Z (mm)	≥ 100	≥ 100	≥ 150



# where can you find us?

**IMCOMA** nv

Zwaarveld 32

9220 Hamme

tel. +32 (0)52 499 899

[info@imcoma.com](mailto:info@imcoma.com)



# STORA-DRAIN

## is part of the BSI group

(owned by the Belgian Ide family). The following companies are part of the group:



[fondatel.com](http://fondatel.com)

FONDATEL is a Belgian foundry offering a wide range of high quality products with references in Belgium and France among others. A very large stock and an efficient logistical organisation result in very short delivery times. Resolutely focused on innovation, FONDATEL regularly offers new products that meet the expectations of clients and public works companies.



[hermelock.be](http://hermelock.be)

The composition, however, consists of composite materials, which makes the products extremely light compared to their volume. As a result, they are very easy to handle and can be placed by one person



[bsibelgium.be](http://bsibelgium.be)

BSI producer of pvc pipes (range from sewerage up to sanitary and rain water disposal, and pipes in polyethylene, cable trays and electrical conduits);





IMCOMA s.a.  
Zwaarveld 32  
9220 Hamme, Belgium  
Phone +32 (0)52 499 899  
info@imcoma.com

 **STORA-DRAIN**



[www.stora-drain.be](http://www.stora-drain.be)