



www.stora-drain.be

STORA BASE

POLYESTER CONCRETE DRAINAGE CHANNEL
WITH GALVANISED PROFILE
B125-C250



STORA-DRAIN

In harmony with nature...

LOAD CLASS

according EN1433:2005

The indications A15, B125, C250, D400, E600 or F900 measure the level of test resistance expressed in kN that is statically transmitted to the element being studied under laboratory conditions. For example, grid class C250 means that it transmits a strength of 250kN applied in accordance with EN 1433:2005.

CLASS

A 15

Areas which can only be used by pedestrians and cyclist, and similar A 15 areas such as green spaces.



CLASS

B 125

Footways, pedestrian areas and comparable areas, private car parks or car parking decks.



CLASS

C 250

Kerb sides and non-trafficked areas of hard shoulders and similar.



CLASS

D 400

Load traffic lanes (including pedestrian streets), hard shoulders and parking areas, for all types of road vehicles. Only longitudinal use, never transverse direction.



CLASS

E 600

Areas subjected to high wheel loads. Only longitudinal use, never transverse direction.



CLASS

F 900

Areas subjected to especially high wheel loads (e.g. aircraft pavements). Only longitudinal use, never transverse direction.





STORA-DRAIN

BASE

POLYESTER CONCRETE DRAINAGE CHANNEL
WITH GALVANISED PROFILE

STORA-DRAIN

BASE

B125 / C250

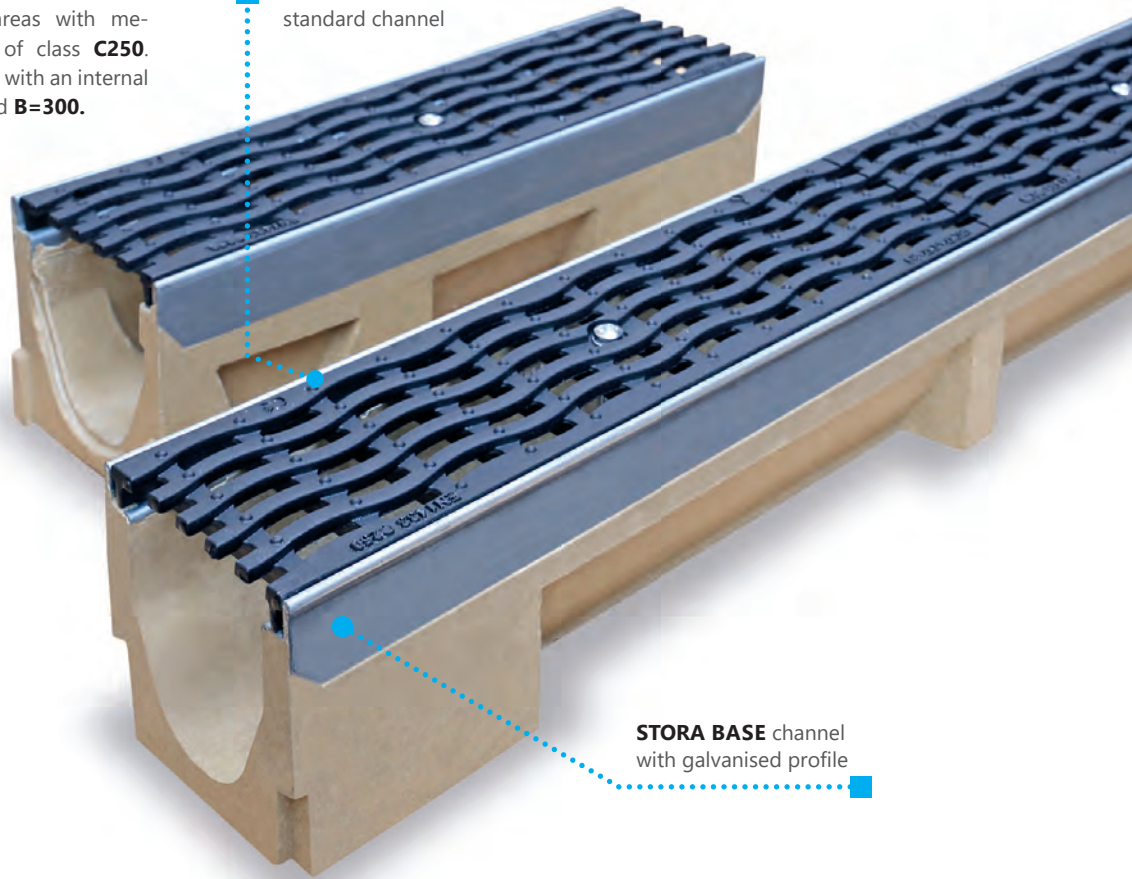
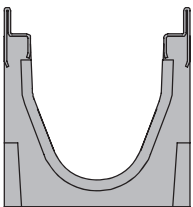
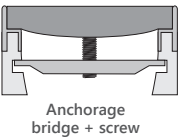


POLYESTER CONCRETE DRAINAGE CHANNEL WITH GALVANISED PROFILE

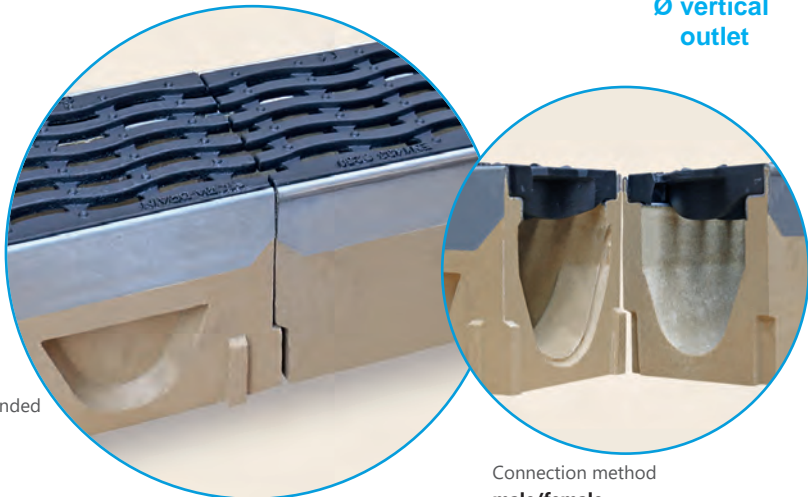
STORA BASE channels are an ideal solution for rainwater drainage in areas with medium traffic loads, for strengths of class **C250**. **STORA BASE** channels are available with an internal width of **B=100**, **B=150**, **B=200** and **B=300**.

STORA BASE standard channel

STORA BASE channel with galvanised profile

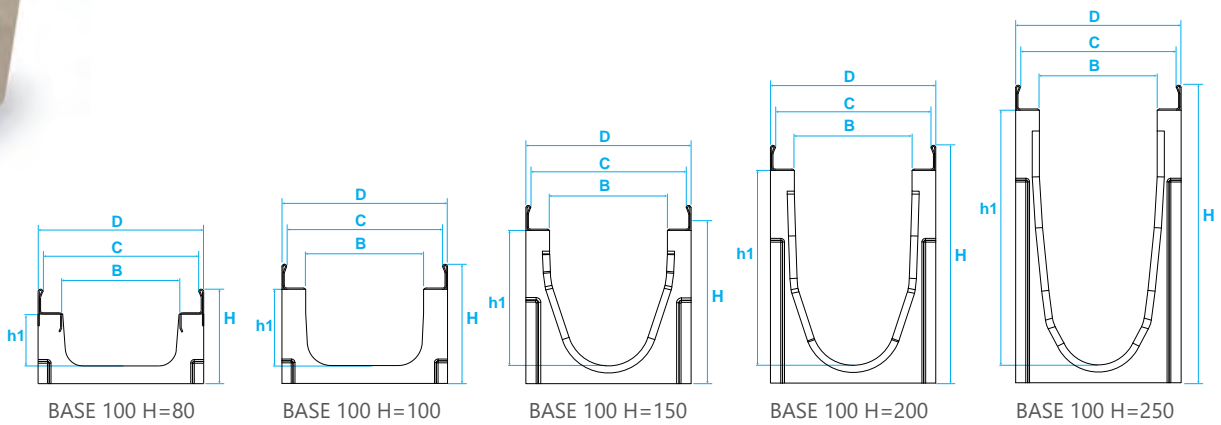


∅ vertical outlet



Connection method **male/female**

The channels are assembled against each other by means of a tongue and groove jointing system (male/female) = **easy installation**. To ensure the channels watertightness it is recommended to use a suitable elastic polyurethane sealant.

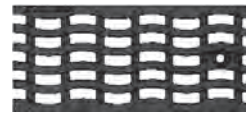


STORA-DRAIN

BASE 100

CHANNEL + GRATING

C250



- anchorage screw
- ductile iron grating "WAVE"

B=100, C=130 D=140	H	h1	Vert. outlet on channel	hydraulic capacity	KG	units per pallet	waterway area	Article number
channel L=1m	80	45	Ø 110	(2x) 5,92 L/sec	14,70		(2x) 0,90dm ²	SB10081352
channel L=0,5m	80	45	Ø 110	5,92 L/sec	8,90	-	0,90dm ²	SB10085352
channel L=1m	100	65	Ø 110	(2x) 5,92 L/sec	15,80	42	(2x) 0,90dm ²	SB10101352
channel L=0,5m	100	65	Ø 110	5,92 L/sec	9,50	-	0,90dm ²	SB10105352
channel L = 1m	150	115	Ø 110	(2x) 5,92 L/sec	18,50	35	(2x) 0,90dm ²	SB10151352
channel L=0,5m	150	115	Ø 110	5,92 L/sec	11,20	-	0,90dm ²	SB10155352
channel L = 1m	200	165	Ø 110	(2x) 5,92 L/sec	22,00	28	(2x) 0,90dm ²	SB10201352
channel L=0,5m	200	165	Ø 110	5,92 L/sec	13,70	-	0,90dm ²	SB10205352
channel L = 1m	250	215	Ø 110	(2x) 5,92 L/sec	24,30	28	(2x) 0,90dm ²	SB10251352
channel L=0,5m	250	215	Ø 110	5,92 L/sec	18,40	-	0,90dm ²	SB10255352

Half of quantity on one pallet are with possibility to make vertical outlet

B125

STORA-DRAIN

BASE

100

CHANNEL + GRATING



- anchorage screw
- galvanised mesh grating 30x10mm

B=100, C=130 D=140	H	h1	Vert. outlet on channel	hydraulic capacity	KG	units per pallet	waterway area	Article number
channel L=1m	80	45	Ø 110	14, 46 L/sec	12,10	-	2,20 dm ²	SB10081223
channel L=0,5m	80	45	Ø 110	7,23 L/sec	7,80	-	1,10 dm ²	SB10085224
channel L=1m	100	65	Ø 110	14, 46 L/sec	13,20	42	2,20 dm ²	SB10101223
channel L=0,5m	100	65	Ø 110	7,23 L/sec	8,30	-	1,10 dm ²	SB10105224
channel L = 1m	150	115	Ø 110	14, 46 L/sec	18,30	35	2,20 dm ²	SB10151223
channel L=0,5m	150	115	Ø 110	7,23 L/sec	11,90	-	1,10 dm ²	SB10155224
channel L = 1m	200	165	Ø 110	14, 46 L/sec	22,40	28	2,20 dm ²	SB10201223
channel L=0,5m	200	165	Ø 110	7,23 L/sec	14,50	-	1,10 dm ²	SB10205224
channel L = 1m	250	215	Ø 110	14, 46 L/sec	27,60	28	2,20 dm ²	SB10251223
channel L=0,5m	250	215	Ø 110	7,23 L/sec	17,20	-	1,10 dm ²	SB10255224

Half of quantity on one pallet are with possibility to make vertical outlet

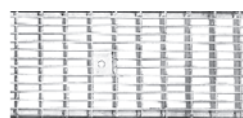
C250

STORA-DRAIN

BASE

100

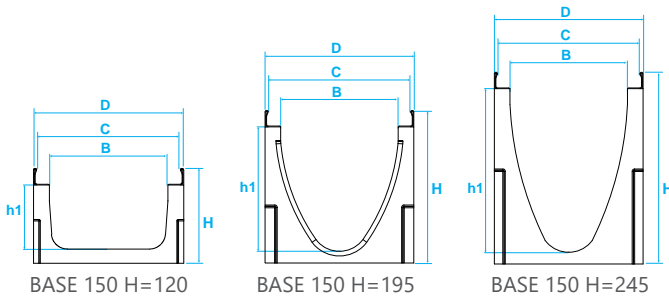
CHANNEL + GRATING



- anchorage screw
- galvanised mesh grating 30x10mm

B=100, C=130 D=140	H	h1	Vert. outlet on channel	hydraulic capacity	KG	units per pallet	waterway area	Article number
channel L=1m	80	45	Ø 110	14, 46 L/sec	12,90	-	2,20 dm ²	SB10081225
channel L = 0,5m	80	45	Ø 110	7,23 L/sec	8,20	-	1,10 dm ²	SB10085226
channel L = 1m	100	65	Ø 110	14, 46 L/sec	14,00	42	2,20 dm ²	SB10101225
channel L = 0,5m	100	65	Ø 110	7,23 L/sec	8,70	-	1,10 dm ²	SB10105226
channel L = 1m	150	115	Ø 110	14, 46 L/sec	19,10	35	2,20 dm ²	SB10151225
channel L = 0,5m	150	115	Ø 110	7,23 L/sec	12,30	-	1,10 dm ²	SB10155226
channel L = 1m	200	165	Ø 110	14, 46 L/sec	23,40	28	2,20 dm ²	SB10201225
channel L = 0,5m	200	165	Ø 110	7,23 L/sec	14,90	-	1,10 dm ²	SB10205226
channel L = 1m	250	215	Ø 110	14, 46 L/sec	28,40	28	2,20 dm ²	SB10251225
channel L = 0,5m	250	215	Ø 110	7,23 L/sec	17,60	-	1,10 dm ²	SB10255226

Half of quantity on one pallet are with possibility to make vertical outlet



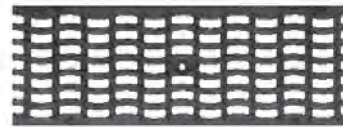
C250

STORA-DRAIN

BASE

150

CHANNEL + GRATING



- grating anchorage
- ductile iron grating "WAVE"

B=150 C=182 D=190	H	h1	Vert. outlet on channel	hydraulic capacity	KG	units per pallet	waterway area	Article number
channel L=1m	120	82	Ø 160	(2x) 7,23 L/sec	22,90	-	(2x) 1,55 dm ²	SB15121353
channel L=0,5m	120	82	Ø 160	7,23 L/sec	14,80	-	1,55 dm ²	SB15125353
channel L=1m	195	160	Ø 160	(2x) 7,23 L/sec	29,30	25	(2x) 1,55 dm ²	SB15191353
channel L=0,5m	195	160	Ø 160	7,23 L/sec	15,80	-	1,55 dm ²	SB15195353
channel L = 1m	245	210	Ø 160	(2x) 7,23 L/sec	33,70	20	(2x) 1,55 dm ²	SB15241353
channel L=0,5m	245	210	Ø 160	7,23 L/sec	18,20	-	1,55 dm ²	SB15245353

Half of quantity on one pallet are with possibility to make vertical outlet

C250

STORA-DRAIN

BASE

150

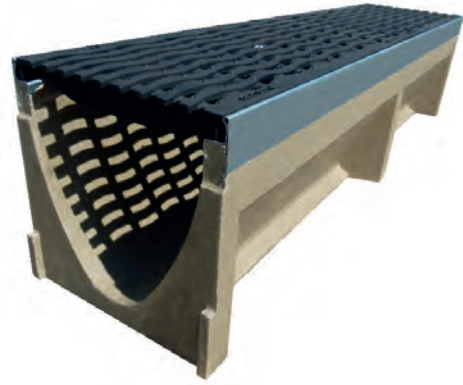
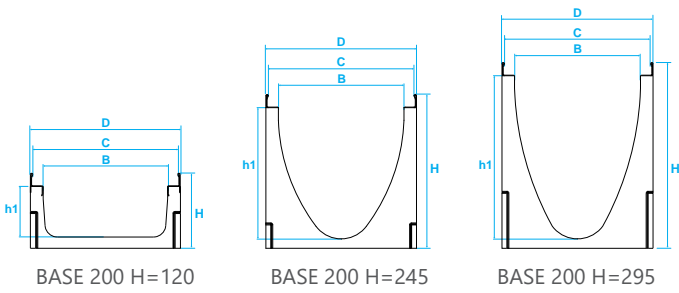
CHANNEL + GRATING



- anchorage screw
- galvanised mesh grating
30x10mm

B=150 C=182 D=190	H	h1	Vert. outlet on channel	hydraulic capacity	KG	units per pallet	waterway area	Article number
channel L = 1m	120	82	Ø 160	24,30 L/sec	20,10	-	3,70 dm ²	SB15121229
channel L = 0,5m	120	82	Ø 160	12,15 L/sec	12,00	-	1,85 dm ²	SB15125230
channel L=1m	195	160	Ø 160	24,30 L/sec	26,50	25	3,70 dm ²	SB15191229
channel L = 0,5m	195	160	Ø 160	12,15 L/sec	15,90	-	1,85 dm ²	SB15195230
channel L = 1m	245	210	Ø 160	24,30 L/sec	31,00	20	3,70 dm ²	SB15241229
channel L = 0,5m	245	210	Ø 160	12,15 L/sec	18,60	-	1,85 dm ²	SB15245230

Half of quantity on one pallet are with possibility to make vertical outlet



STORA-DRAIN

BASE 200

CHANNEL + GRATING

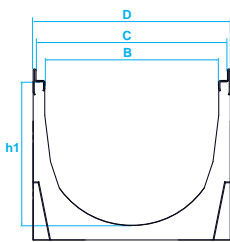
C250



- anchorage screw
- ductile iron grating "WAVE"

B=200 C=230 D=240	H	h1	Vert. outlet on channel	hydraulic capacity	KG	units per pallet	waterway area	Article number
channel L=1m	120	82	Ø 200	(2x) 14,13 L/sec	28,90	-	(2x) 2,15 dm ²	SB20121354
channel L=0,5m	120	82	Ø 200	14,13 L/sec	17,20	-	2,15 dm ²	SB20125354
channel L=1m	245	210	Ø 200	(2x) 14,13 L/sec	38,90	20	(2x) 2,15 dm ²	SB20241354
channel L=0,5m	245	210	Ø 200	14,13 L/sec	24,10	-	2,15 dm ²	SB20245354
channel L=1m	295	260	Ø 200	(2x) 14,13 L/sec	44,10	-	(2x) 2,15 dm ²	SB20291354
channel L=0,5m	295	260	Ø 200	14,13 L/sec	26,00	-	2,15 dm ²	SB20295354

Half of quantity on one pallet are with possibility to make vertical outlet



BASE 300 H=295

STORA-DRAIN

BASE 300

CHANNEL + GRATING

C250

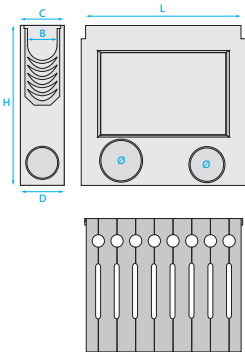


- anchorage screw
- ductile iron grating "WAVE"

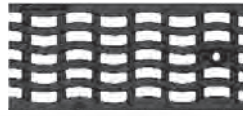
B=300 C=330 D=340	H	h1	Vert. outlet on channel	hydraulic capacity	KG	units per pallet	waterway area	Article number
channel L=1m	295	250	Ø 200	(2x) 19,40 L/sec	66,90	12	(2x) 2,95 dm ²	SB30291355
channel L=0,5m	295	250	Ø 200	19,40 L/sec	36,10	-	2,95 dm ²	SB30295355

Half of quantity on one pallet are with possibility to make vertical outlet

SUMP UNIT 100

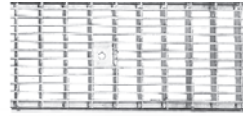


C250



■ One part sump unit + bucket + iron grating "WAVE"

B125



■ One part sump unit + bucket + galvanised mesh grating 30x10

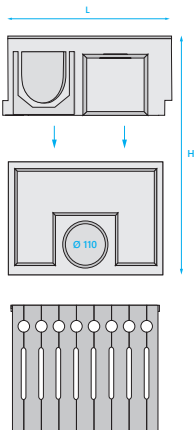
C250



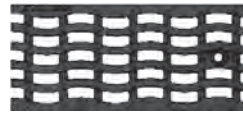
■ One part sump unit + bucket + galvanised mesh grating 30x10

L	500		500		500	
H	370	470	370	470	370	470
Side outlet	Ø 110/160		Ø 110/160		Ø 110/160	
Front outlet	Ø 110		Ø 110		Ø 110	
KG	25,40	34,40	24,20		24,60	22,50
Article number	AU11901352 for H=80-150	AU11911352 for H=100-250	AU11901224 for H=80-150	AU11911224 for H=100-250	AU11901226 for H=80-150	AU11911226 for H=100-250

SUMP UNIT 150

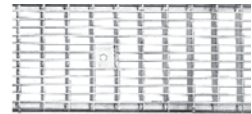


C250



■ Two parts sump unit + bucket + iron grating "WAVE"

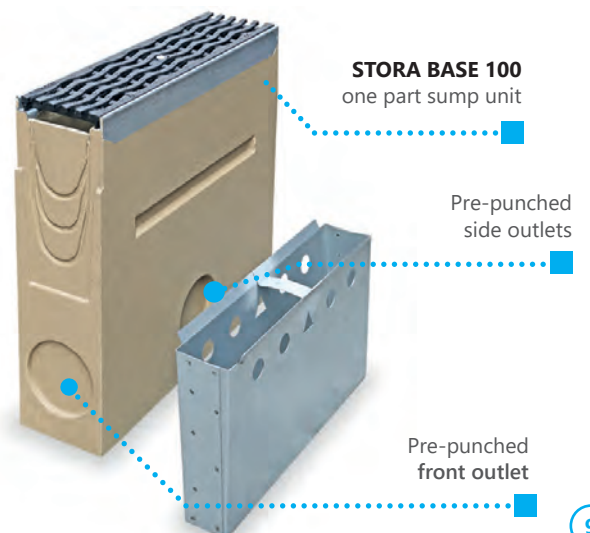
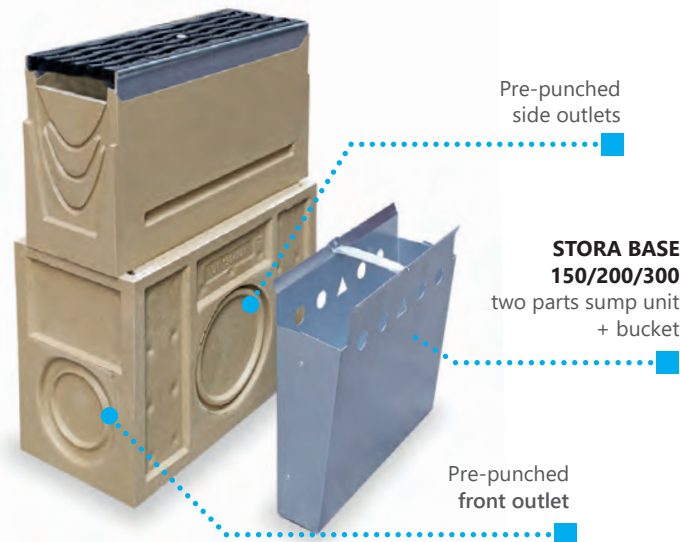
C250



■ Two parts sump unit + bucket + galvanised mesh grating 30x10

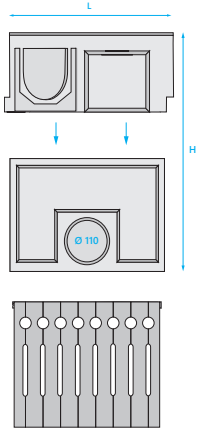
L	500	500	500	500
H	660	270	660	270
Side outlet	Ø 110/160	Ø 110	Ø 110/160	Ø 110
Front outlet	Ø 110	Ø 110	Ø 110	Ø 110
KG	42,00	16,00	40,70	16,60
Article number	AU10411353	AU11921353 *	AU10411230	AU11921230 *

* one part sump unit for channels BASE 150 H=120

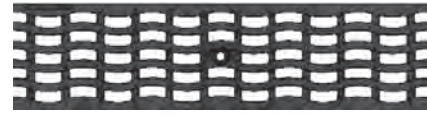


BASE

SUMP UNIT 200



C250

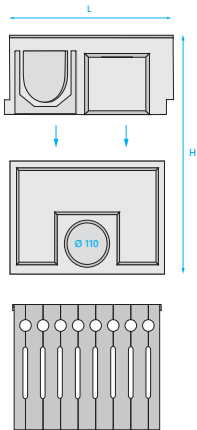


■ Two parts sump unit
+ bucket + iron grating "WAVE"

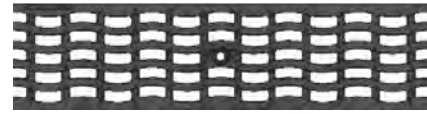
L	500	500
H	700	270
Side outlet	Ø 160/200	Ø 110
Front outlet	Ø 160	Ø 110
KG	55,70	23,10
Article number	AU10411354	AU11931354 *

* one part sump unit for channels BASE 200 H=120

SUMP UNIT 300



C250



■ Two parts sump unit
+ bucket + iron grating "WAVE"

L	500
H	645
Side outlet	Ø 160/200
Front outlet	Ø 110/160
KG	72,80
Article number	AU10601355

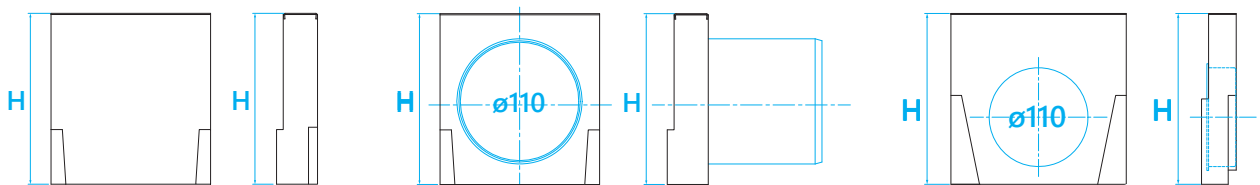
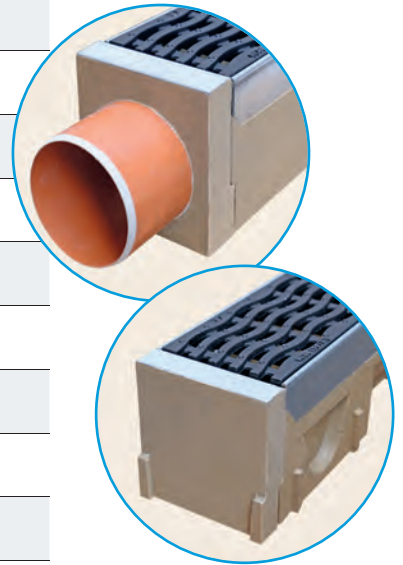
STEPPED FALL 100/150

Type	For channel (H)	KG	Article number
100	H 150/200/250	0,70	AL10000102
150	H 195/245	0,70	AL15000102



ENDCAPS 100/150/200/300

Type	H	Integrated In-/Outlet with gasket and PE cover plate	KG	Article number
100	80	closed	0,80	AE10099000
100	100	closed	1,00	AE10079000
100	100	with pipe Ø 110	1,00	AE10089000
100	150	closed	1,40	AE10019000
100	150	with pipe Ø 110	1,40	AE10029000
100	200	closed	1,40	AE10039000
100	200	with pipe Ø 110	1,40	AE10049000
100	250	closed	1,40	AE10059000
100	250	with pipe Ø 110	1,40	AE10069000
150	120	closed		AE15029000
150	195	Ø 110 universal	2,20	AE15009000
150	245	Ø 110 universal	2,20	AE15019000
200	120	closed		AE20019000
200	245	Ø 160 universal	2,50	AE20009000
200	295	Ø 160 universal		AE20029000
300	295	Ø 200 universal	4,30	AE30008000



Closed



with pipe



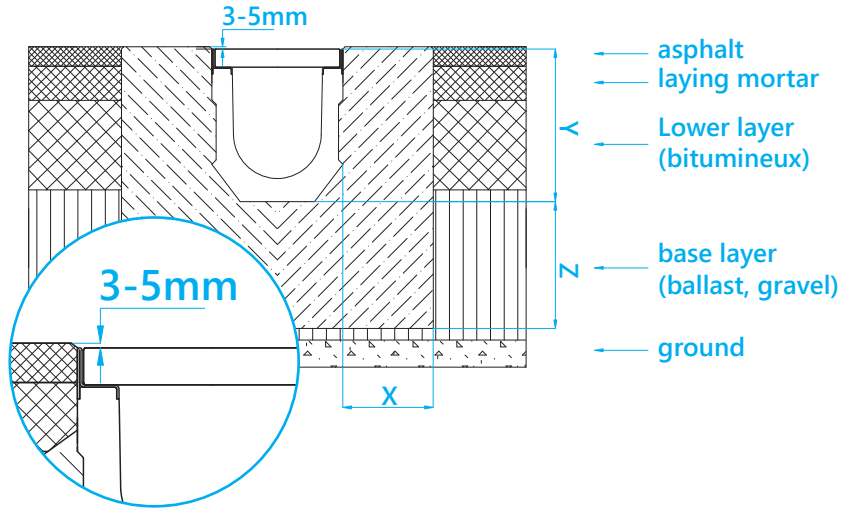
Universal

INSTALLATION INSTRUCTIONS

INSTALLATION EXAMPLE - ASPHALT

CLASS A15 / B125 / C250

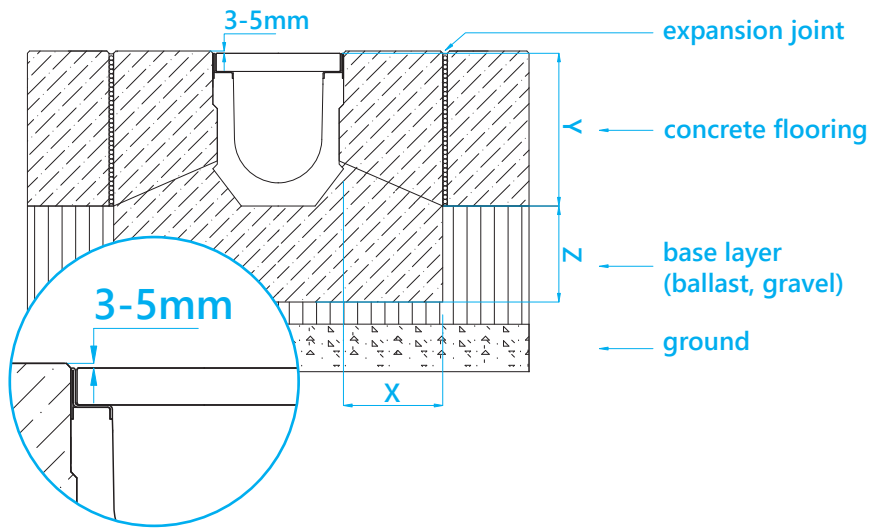
Load Class ac.: PN EN 1433		A15	B125	C250
Minimum compressive concrete strength to:	DIN 1045-2	B15	B15	B25
	DIN EN 206-01	C12/15	C12/15	C20/25
Dimensions	X (mm)	≥ 100	≥ 100	≥ 150
	Y (mm)	Upper part of pocket anchor		
	Z (mm)	≥ 100	≥ 100	≥ 150



INSTALLATION EXAMPLE - CONCRETE

CLASS A15 / B125 / C250

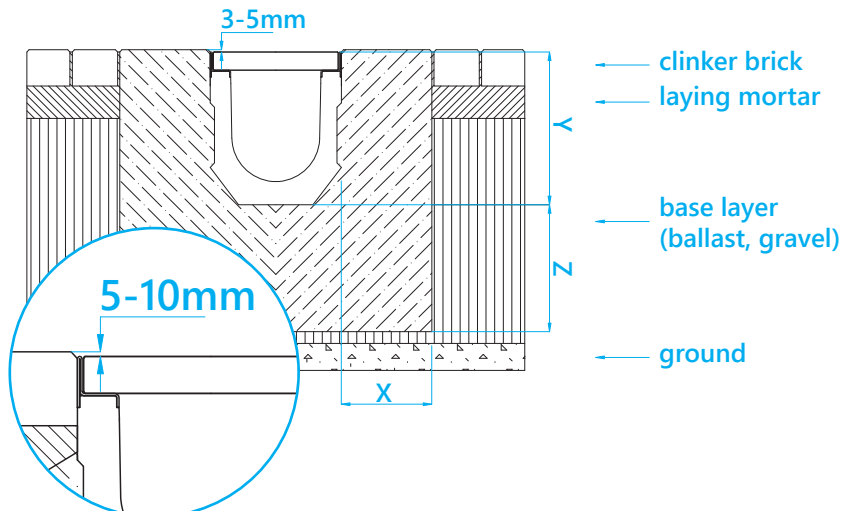
Load Class ac.: PN EN 1433		A15	B125	C250
Minimum compressive concrete strength to:	DIN 1045-2	B15	B15	B25
	DIN EN 206-01	C12/15	C12/15	C20/25
Dimensions	X (mm)	≥ 100	≥ 100	≥ 150
	Y (mm)	Upper part of pocket anchor		
	Z (mm)	≥ 100	≥ 100	≥ 150



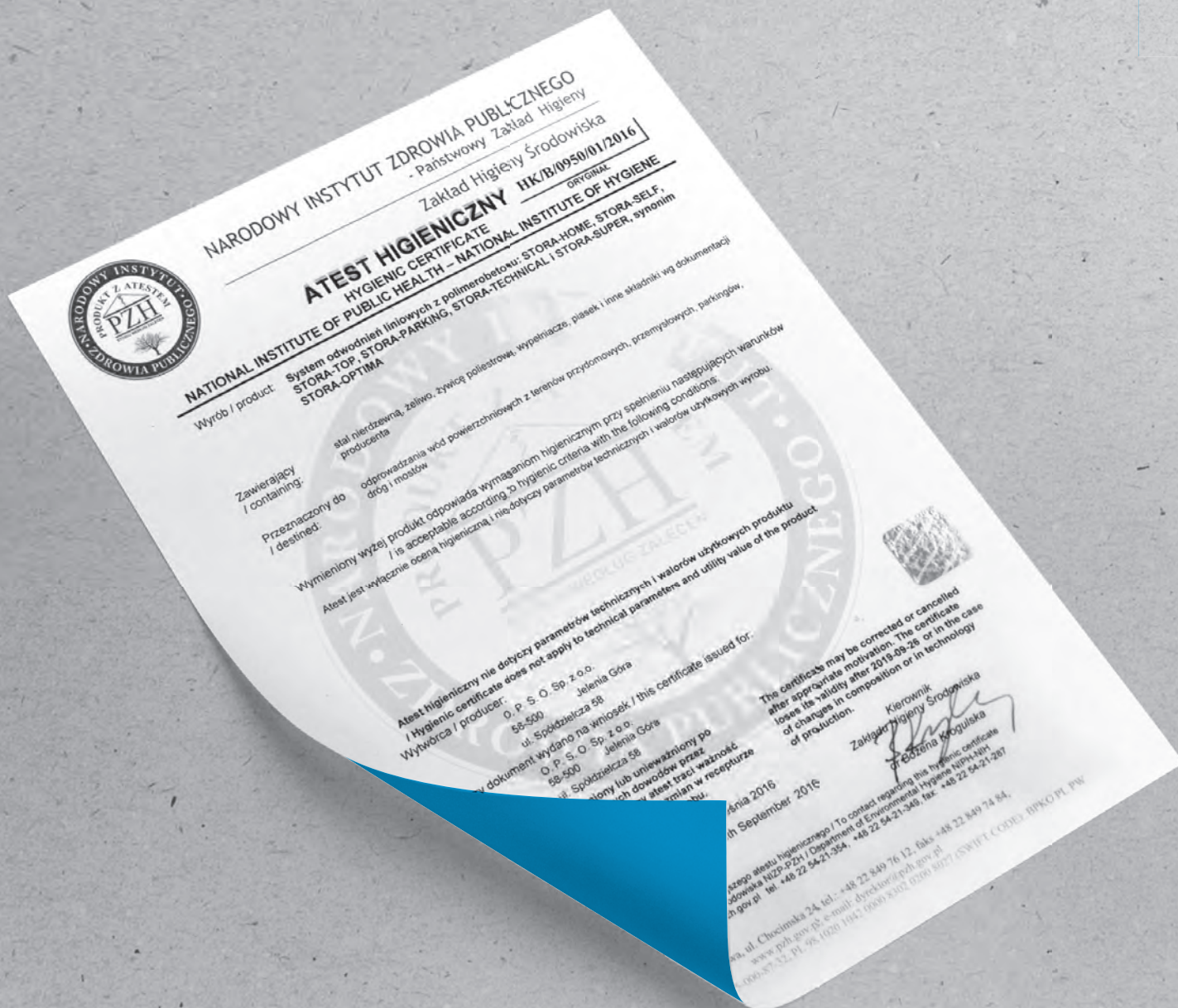
INSTALLATION EXAMPLE - CLINKER BRICK

CLASS A15 / B125 / C250

Load Class ac.: PN EN 1433		A15	B125	C250
Minimum compressive concrete strength to:	DIN 1045-2	B15	B15	B25
	DIN EN 206-01	C12/15	C12/15	C20/25
Dimensions	X (mm)	≥ 100	≥ 100	≥ 150
	Y (mm)	Upper part of pocket anchor		
	Z (mm)	≥ 100	≥ 100	≥ 150



We have Approvals!



where can you find us?

IMCOMA nv

Zwaarveld 32

9220 Hamme

tel. +32 (0)52 499 899

info@imcoma.com



IMCOMA S.A. is not responsible for printing errors and reserves the right to change the technical specifications at any time without prior notice. Drawings, photos, weights and colours are given as an indication only without any contractual value.

STORA-DRAIN

is part of the BSI group

(owned by the Belgian Ide family). The following companies are part of the group:



fondatel.com

FONDATEL is a Belgian foundry offering a wide range of high quality products with references in Belgium and France among others. A very large stock and an efficient logistical organisation result in very short delivery times. Resolutely focused on innovation, FONDATEL regularly offers new products that meet the expectations of clients and public works companies.



hermelock.be

The composition, however, consists of composite materials, which makes the products extremely light compared to their volume. As a result, they are very easy to handle and can be placed by one person



bsibelgium.be

BSI producer of pvc pipes (range from sewerage up to sanitary and rain water disposal, and pipes in polyethylene, cable trays and electrical conduits);



IMCOMA s.a.
Zwaarveld 32
9220 Hamme, Belgium
Phone +32 (0)52 499 899
info@imcoma.com



www.stora-drain.be